

EASY AND RELIABLE MEASUREMENT

BARTEC BENKE

Trace moisture measurement device **HYGROPHIL[®] F basic**



Web interface

Suitable for integration

Fiber-optical principle

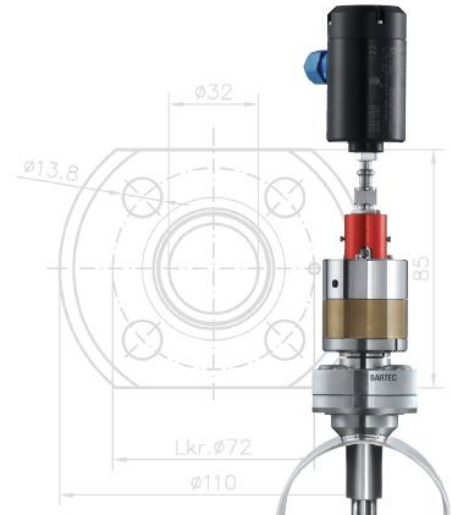


Process Analyzers - Humidity Measurement Devices - Cooling Systems

BARTEC BENKE is a company of more than 300 specialists committed to monitoring and optimising production processes in the oil and gas industry and accordingly ensuring an efficient production of high-quality products.

Our knowledge and our decades of experience form the basis of innovative and economical process analyzers, moisture meters and cooling systems which comply with international standards, such as ASTM and DIN.





Hygrophil® F basic

For many years now, the Hygrophil® F product family has proven successful in the area of trace moisture measurement in gas. The Hygrophil® F basic has been developed as standard model for system integrators. The fiber-optical principle together with standard functionality and compact design makes the Hygrophil® F basic to a new alternative in the market. Calibration free and configured by web interface Hygrophil® F basic is optimal for system integration.

Features

- **Maintenance-free** The fibreoptic measurement principle dispenses with regular calibration
- **Pressure-proof up to 200 bar** Measurements are possible in areas with very high levels of pressure
- **Measurement in gases** First-class measurement results
- **Drift-free and with long-time stable** Long-life sensor and robust sensor head
- **ATEX-certified** Approved for hazardous areas
- **Web interface** Configuration by web interface
- **Compact for easy integration** Suitable for system integrators

➔ Technical Data

- Calibrated range**
DT -80 °C to +20 °C
- Accuracy**
+/- 1 °K
- Measurement method**
Fibreoptic measurement principle
- Range for use of sensor**
-30 °C to +60 °C
- Interfaces**
4 to 20 mA
Modbus RTU or TCP
- Auxiliary inputs**
Ex i Pt100 and analog in (pressure)
- Certification**
ATEX zone 2, CSA C11 Div. 2
- Validation and cleaning service**
We offer regular validation service.

Areas of application

- Compressor stations
- Natural gas pipelines
- Compressed natural gas
- Biogas infeed plants



Would you like more information? Our expert Christian Brokamp will be happy to answer all your questions concerning humidity measurement technology. You can reach him by calling +49 40 72703 255 or e-mailing Christian.Brokamp@bartec-benke.de. Use our know-how for your application!